

# CONSTRUCTION MANAGEMENT TECHNOLOGY

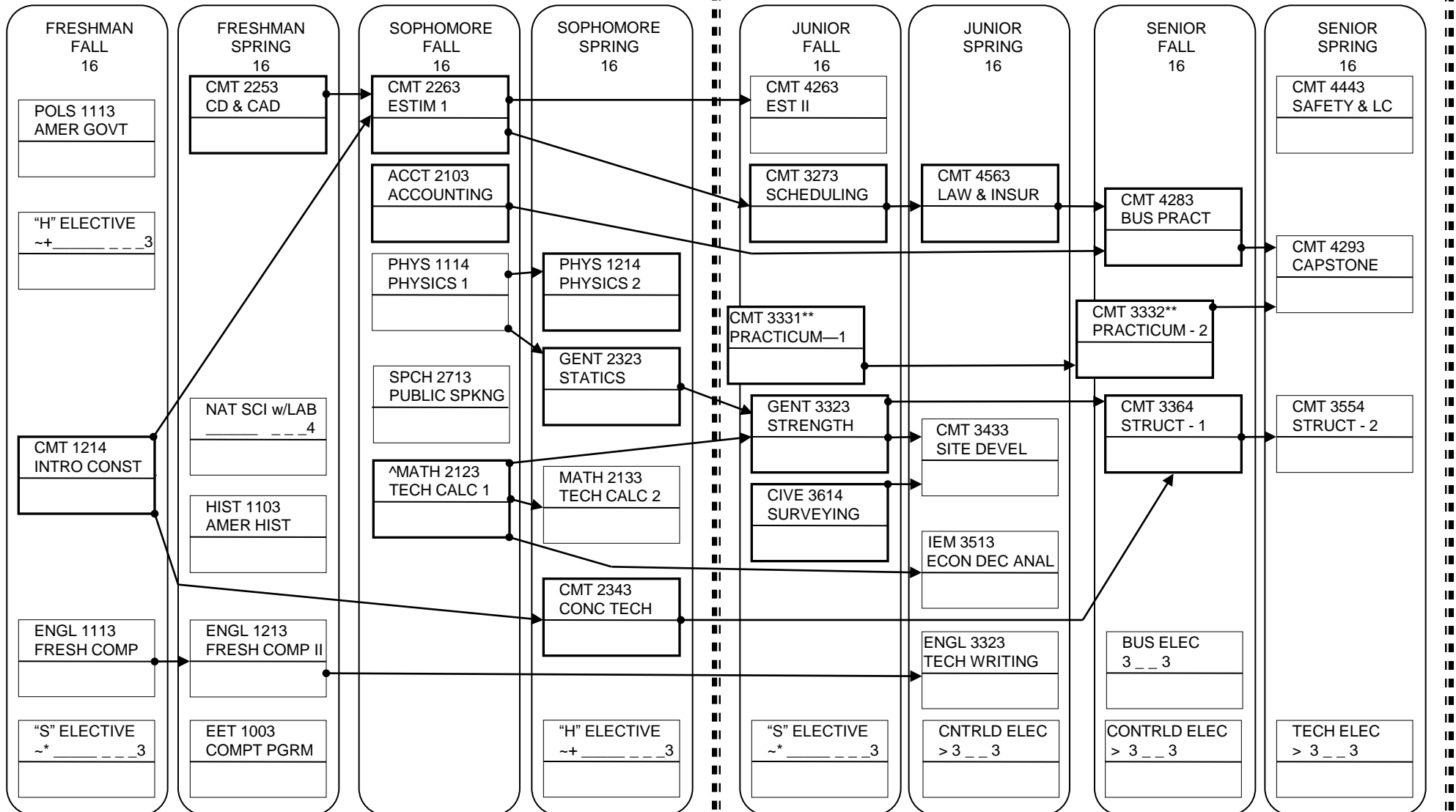
HEAVY/HIWAY OPTION – 124 HOURS

FALL 2008

(Revised 8-12-08)

## Lower Division

## \*\*\*Upper Division



\*Preparatory Courses: MATH 1513 + MATH 1613 OR MATH 1715

-INTERNATIONAL DIMENSION \_\_\_\_\_ -DIVERSITY (D) \_\_\_\_\_

An International Dimension (3 hours designated "I") course is required of all students.

A Diversity (3 hours designated "D") course is required of all students.

These two requirements ("I" and "D") should be met with "H" or "S" courses to minimize required hrs (124)

+ Any course designated "H" (Humanities) in Catalog for General Education Credit (Lower division acceptable).

\* Any course designated "S" (Social Science) in Catalog for General Education Credit (Lower division acceptable).

CQE (date exam was taken) \_\_\_\_\_ MAJOR GPA (minimum 2.30) \_\_\_\_\_

\*\* CMT 3331 & 3332—Certified field working experiences in the construction industry to be taken in the summers between Soph/Jr year and Jr/Sr year. Must be taken before last semester; Prerequisite 1214 or 2253.

\*\*\*Admission to the Upper Division is by application ONLY.

A student may enroll in ONLY the following Upper Division CMT Courses prior to admission to the Upper

Division: CMT 3331, CMT 3332, CMT 3273, CMT 4263, CMT 4563.

**Bold Box** = Grade of "C" or better needed to apply for the CMT Upper Division Curriculum and/or for graduation. See Degree Requirement Sheet and CMT Upper Division Policy for details.

PREREQUISITE = ●————→ Note: See the University Catalogue for any and all prerequisites.

>Highly recommended Controlled and Technical Electives include:

CIVEN 3633	CIVEN 5163	CIVEN 5693	CIVEN 5703	CIVEN 5653	<b>CMT 4533</b>	CMT 3633
CIVEN 5673	CIVEN 5183	CIVEN 5233	CIVEN 5733	CIVEN 5753	CMT 4050	